

PLUGS

- IEC 60309-1/2, EN 60309, VDE 0623
- Protection degree IP67

Plug TE-Plus with Multi-Grip

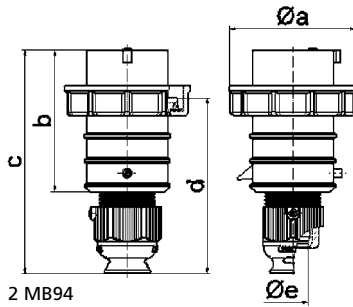
- Screwless terminals
- High-temperature-resistant contact carrier
- Nickel plated contacts
- Special gland, simultaneous cable gland and seal
- Protection degree IP67

Accessories:
Closure cap: see page 102/3

2P+E Ampere	3P+E Poles	3P+N+E Poles	110V 50-60 Hz			230V 50-60 Hz			400V 50-60 Hz			500V 50-60 Hz			100-300Hz > 50V			301-500Hz > 50V			Qty	each
			3pol 4h	4pol 4h	5pol 4h	3pol 6h	4pol 9h	5pol 9h	3pol 9h	4pol 6h	5pol 6h	3pol 7h	4pol 7h	5pol 7h	3pol 10h	4pol 10h	5pol 10h	3pol 2h	4pol 2h	5pol 2h		
16	3		21237			21238			21402			21487			21453			21558	10	150		
16	4		21403			21250			21349			21350			21404			21105	10	175		
16	5		21406			21407			21239			21754			21564			21533	10	215		
32	3		21408			21240			21409			21486			21545			210222	10	285		
32	4		21410			21251			21351			21352			21411			21412	10	335		
32	5		21413			21414			21241			21282			21484			210234	10	385		



Fig.: Type 21239



2 MB94

Ampere Poles	16 3	16 4	16 5	32 3	32 4	32 5
a Ø	70.0	78.0	86.0	94.0	94.0	101.0
b	95.0	95.0	97.0	118.0	118.0	117.0
c	145.0	145.0	152.0	178.0	178.0	181.0
d	111.0	111.0	119.0	136.0	136.0	138.5
e Ø	18.0	18.0	21.0	23.0	23.0	27.0
Cond. mm² min	1	1	1	2.5	2.5	2.5
Cond. mm² max	2.5	2.5	2.5	6	6	6

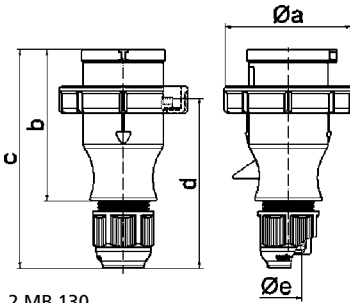
Plug with Multi-Grip

- Screw terminals
- Nickel plated contacts
- One-piece enclosure
- Special gland, simultaneous cable gland and seal
- Protection degree IP67

2P+E Ampere	3P+E Poles	3P+N+E Poles	110V 50-60 Hz			230V 50-60 Hz			400V 50-60 Hz			500V 50-60 Hz			100-300Hz > 50V			301-500Hz > 50V			Qty	each
			3pol 4h	4pol 4h	5pol 4h	3pol 6h	4pol 9h	5pol 9h	3pol 9h	4pol 6h	5pol 6h	3pol 7h	4pol 7h	5pol 7h	3pol 10h	4pol 10h	5pol 10h	3pol 2h	4pol 2h	5pol 2h		
16	3		210575			210576			210577										10	155		
16	4		210581			210582			210583										10	170		
16	5		210587			210588			210589										10	170		
32	3		210593			210594			210595										10	243		
32	4		210599			210600			210601										10	255		
32	5		210605			210606			210607										10	305		



Fig.: Type 210589



2 MB 130

Ampere Poles	16 3	16 4	16 5	32 3	32 4	32 5
a Ø	70.0	78.0	86.0	94.0	94.0	101.0
b	94.5	98.0	101.0	115.0	115.0	119.0
c	138.0	142.0	145.0	170.0	170.0	174.0
d	105.5	109.5	112.5	128.0	128.0	132.0
e Ø	18.0	18.0	18.0	23.0	23.0	23.0
Cond. mm² min	1	1	1	2.5	2.5	2.5
Cond. mm² max	2.5	2.5	2.5	6	6	6

Plug TE-Plus with Multi-Grip

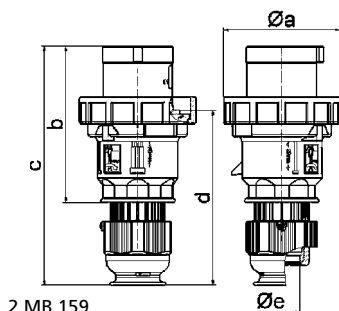
- High-temperature-resistant contact carrier
- Nickel plated contacts
- Special gland, simultaneous cable gland and seal
- Screwless enclosure connection, self locking
- Protection degree IP67

Accessories: Closure cap: see page 102/3

2P+E Ampere	3P+E Poles	3P+N+E Poles	110V 50-60 Hz			230V 50-60 Hz			400V 50-60 Hz			500V 50-60 Hz			100-300Hz > 50V			301-500Hz > 50V			Qty	each
			3pol 4h	4pol 4h	5pol 4h	3pol 6h	4pol 9h	5pol 9h	3pol 9h	4pol 6h	5pol 6h	3pol 7h	4pol 7h	5pol 7h	3pol 10h	4pol 10h	5pol 10h	3pol 2h	4pol 2h	5pol 2h		
			QUICK CONNECT®																			
63	4																		5	720		
63	5																		5	770		
			Screw terminal:																			
63	3		2180			2181			2182			21330							5	590		
63	4		2183			2184			2185			2186			21154			21375	5	650		
63	5		2187			2188			2189			21060			21645			21163	5	705		



Fig.: Type 210766



2 MB 159

Ampere Poles	63 3	63 4	63 5
a Ø	113.5	113.5	113.5
b	153.0	153.0	153.0
c	233.0	233.0	233.0
d	171.0	171.0	171.0
e Ø	36.0	36.0	36.0
Cond. mm² min	6	6	6
Cond. mm² max	16	16	16