



Technical Data

Compact RCBO Type A

Brief product description:

This RCBO provides superior protection for both people and circuits in a single module device. The compact design clips to a standard 35mm DIN rail but the compact body makes it easier to install the BG Fortress Consumer Unit alongside other devices such as MCBs and RCDs, saving space and making wiring easier.

Features:

- Type A with > 6mA Pulsed DC detection
- 30mA
- Single Module
- B & C Curve
- 6kA Breaking Capacity
- Available from 6A to 40A
- Compact size
- Positive Contact Status Indicator
- Capable of being locked in the off/on positions using a device lock.

Product Images



CUCRB32A

Technical Specifications

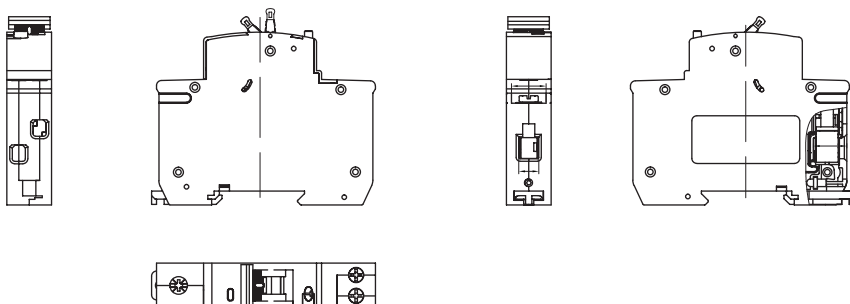
Standard(s)	IEC/EN 61009-1
Max Current Rating	6A, 10A, 16A, 20A, 32A, 40A
Operating Voltage	230V AC 50 Hz
Breaking Capacity	6000A
Rated Peak Withstand Voltage	4kV
RCD Type	Type A
Rated Tripping Current	30mA
Number of Poles	1P+N (1 Module)
Terminal Capacity	4 - 10mm ²
Terminal Torque	L/in 2Nm, L & N out 1.2Nm
Endurance Operations	Electrical - 10,000, Mechanical - 20,000





Compact RCBO Type A

Line Diagrams



Packaging Information

Cat No.	Description	Packaging Type			Pack Quantity			Barcode		
		Product	Inner Box	Outer Box	Each	Inner Box	Outer Box	Individual	Inner Box	Outer Box
CUCRB6A	B Type 6A	Printed Box	Printed Box	Carton	1	5	50	5050765180238	5050765180245	5050765180245
CUCRB10A	B Type 10A	Printed Box	Printed Box	Carton	1	5	50	5050765180269	5050765180276	5050765180276
CUCRB16A	B Type 16A	Printed Box	Printed Box	Carton	1	5	50	5050765180290	5050765180306	5050765180306
CUCRB20A	B Type 20A	Printed Box	Printed Box	Carton	1	5	50	5050765180320	5050765180337	5050765180337
CUCRB32A	B Type 32A	Printed Box	Printed Box	Carton	1	5	50	5050765180351	5050765180368	5050765180368
CUCRB40A	B Type 40A	Printed Box	Printed Box	Carton	1	5	50	5050765180382	5050765180399	5050765180399
CUCRC6A	C Type 6A	Printed Box	Printed Box	Carton	1	5	50	5050765180412	5050765180429	5050765180429
CUCRC10A	C Type 10A	Printed Box	Printed Box	Carton	1	5	50	5050765180443	5050765180450	5050765180450
CUCRC16A	C Type 16A	Printed Box	Printed Box	Carton	1	5	50	5050765180474	5050765180481	5050765180481
CUCRC20A	C Type 20A	Printed Box	Printed Box	Carton	1	5	50	5050765180504	5050765180511	5050765180511
CUCRC32A	C Type 32A	Printed Box	Printed Box	Carton	1	5	50	5050765180535	5050765180542	5050765180542
CUCRC40A	C Type 40A	Printed Box	Printed Box	Carton	1	5	50	5050765180566	5050765180573	5050765180573

Weights & Dimensions

Cat No.	Description	Dimensions (H x W x D) cm			Weight (kg)			CBM (m ³)
		Product	Inner Box	Outer Box	Each	Inner Box	Outer Box	Outer Box
CUCRB6A	B Type 6A	7.6 x 3.5 x 9.3	19.0 x 10.0 x 8.5	45 x 27 x 21	0.149	1.6	16.5	#N/A
CUCRB10A	B Type 10A	7.6 x 3.5 x 9.3	19.0 x 10.0 x 8.5	45 x 27 x 21	0.149	1.6	16.5	#N/A
CUCRB16A	B Type 16A	7.6 x 3.5 x 9.3	19.0 x 10.0 x 8.5	45 x 27 x 21	0.149	1.6	16.5	#N/A
CUCRB20A	B Type 20A	7.6 x 3.5 x 9.3	19.0 x 10.0 x 8.5	45 x 27 x 21	0.149	1.6	16.5	#N/A
CUCRB32A	B Type 32A	7.6 x 3.5 x 9.3	19.0 x 10.0 x 8.5	45 x 27 x 21	0.149	1.6	16.5	#N/A
CUCRB40A	B Type 40A	7.6 x 3.5 x 9.3	19.0 x 10.0 x 8.5	45 x 27 x 21	0.149	1.6	16.5	#N/A
CUCRC6A	C Type 6A	7.6 x 3.5 x 9.3	19.0 x 10.0 x 8.5	45 x 27 x 21	0.149	1.6	16.5	#N/A
CUCRC10A	C Type 10A	7.6 x 3.5 x 9.3	19.0 x 10.0 x 8.5	45 x 27 x 21	0.149	1.6	16.5	#N/A
CUCRC16A	C Type 16A	7.6 x 3.5 x 9.3	19.0 x 10.0 x 8.5	45 x 27 x 21	0.149	1.6	16.5	#N/A
CUCRC20A	C Type 20A	7.6 x 3.5 x 9.3	19.0 x 10.0 x 8.5	45 x 27 x 21	0.149	1.6	16.5	#N/A
CUCRC32A	C Type 32A	7.6 x 3.5 x 9.3	19.0 x 10.0 x 8.5	45 x 27 x 21	0.149	1.6	16.5	#N/A
CUCRC40A	C Type 40A	7.6 x 3.5 x 9.3	19.0 x 10.0 x 8.5	45 x 27 x 21	0.149	1.6	16.5	#N/A

Installation Method

To fit device onto DIN rail, fit top of device onto rail first and then push down bottom of device until retaining device clip "clicks" and locks onto DIN rail.

When fitting please ensure Main Switch is butted firmly against "pip" on far righthand side of the DIN rail.

To remove device, pull out retaining device clip from bottom of Switch (using flat blade screwdriver) and remove by lifting bottom part of switch first.