



## WS1031 Wireless Receiving Controller

RF& WIFI dual module smart receiving controller



### Features & Benefits

**This receiving controller will transform your house or buildings into a smart home fastly.**

This receiving controller is mounted in electric box. Will turn your any dumb devices into a smart devices. You can use our wireless kinetic switch, Voice, APP to control them without wires limitness or extra construction cost or digging walls. It can be used in new building and refurbishment.

**\*With self-powered switch, no battery required**

Our switch adopts MEA micro-energy harvesting power generation technology, which is efficiently converted into electric energy by the user's light-pressing kinetic switch.

**\*Reliable wireless communication, no wiring required**

Based on the ISM band, equipped with EBL 1.1 communication protocol, the switch does not need to be wired when working with controller.

**\*A variety of combination control**

By switch pairing with the controller, it is easy to achieve double control, multiple control, master control. scene switch.

**\* Perfect integration into smart home**

Remote control, scene setting up via mobile APP, Voice control by Amazon Echo, Google home.



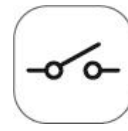
RF433



WIFI



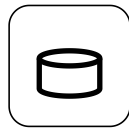
MOBILE APP



ON/OFF  
PER CHANNEL



VOICE CONTROL



No HUB  
REQUIRED



ENERJSMART

**IFTTT**

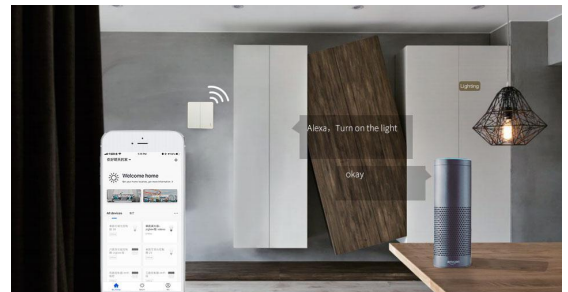
works with  
**amazon alexa**



works with the  
Google Assistant



works with the  
Google Home



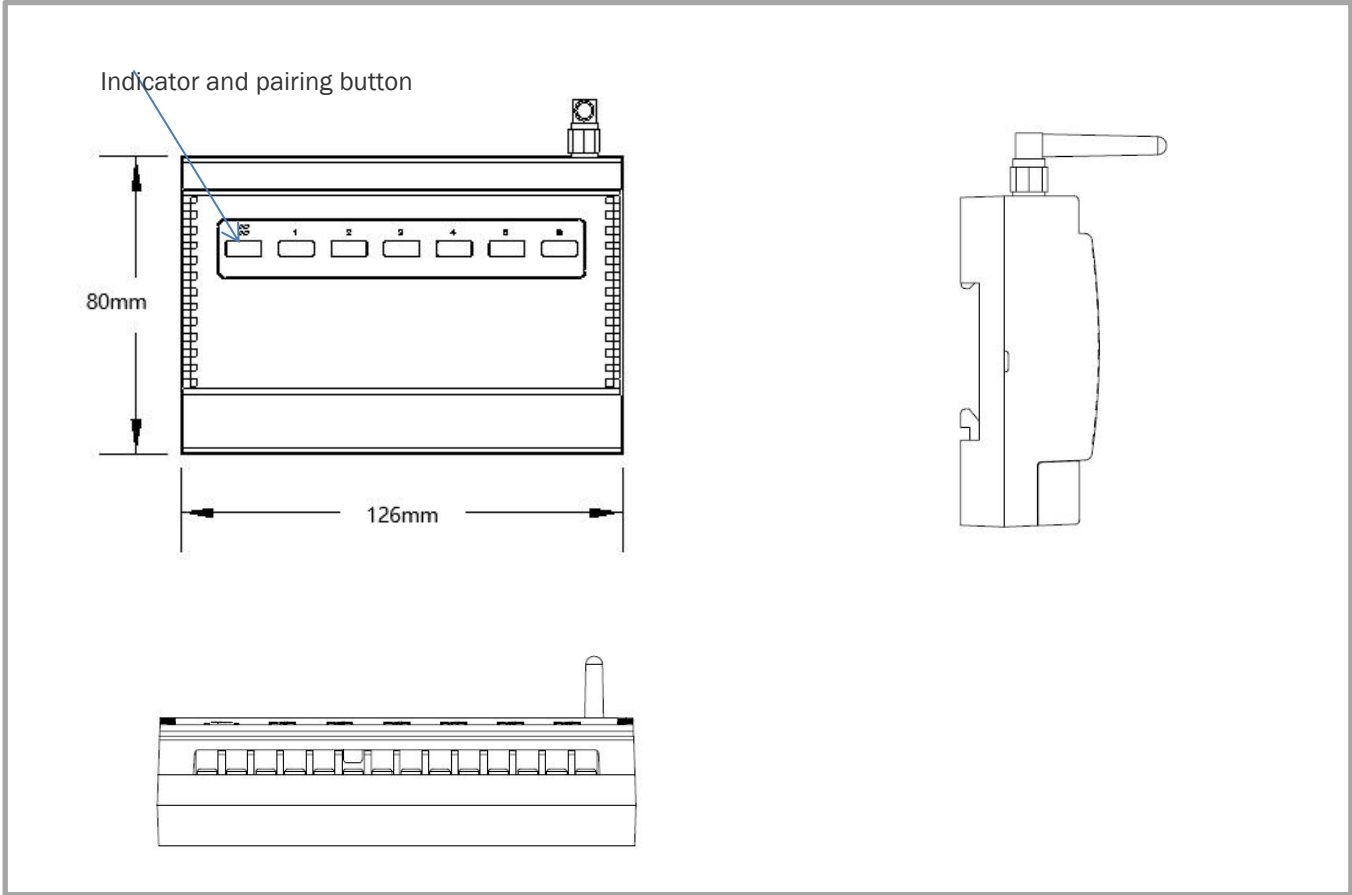
Wireless Kinetic Switch + APP Network



# Technical Parameters

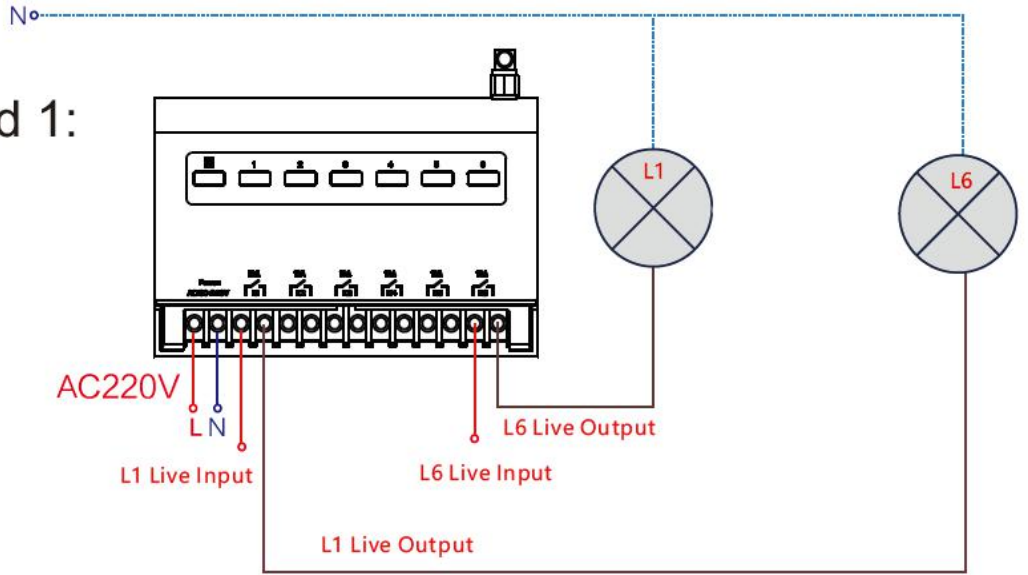
Item	Parameter
Working voltage	AC100V-240V 50/60Hz
Rated current	AC 16A*2 & AC 10A*4
Control channels	Six channels
Working frequency	433MHz+2.4GHz
Storage capacity	Store up to 5 switch-key's ID per channel
Wiring method	Terminals
Dimension	L126mm*W80mm*H33.6mm
Product weight	218g
Receiving sensitivity	-110dBm
Communication protocol	WiFi+EBL1.1
Control Method	ENERJSMART Wireless Kinetic Switch, APP, Amazon Alexa, Google Home, IFTTT
Control element type	Relay
Working temperature	-20°C~55°C
Dimension	L126*W80*H33.6mm
Warranty	2 year

# Mechanical Structure

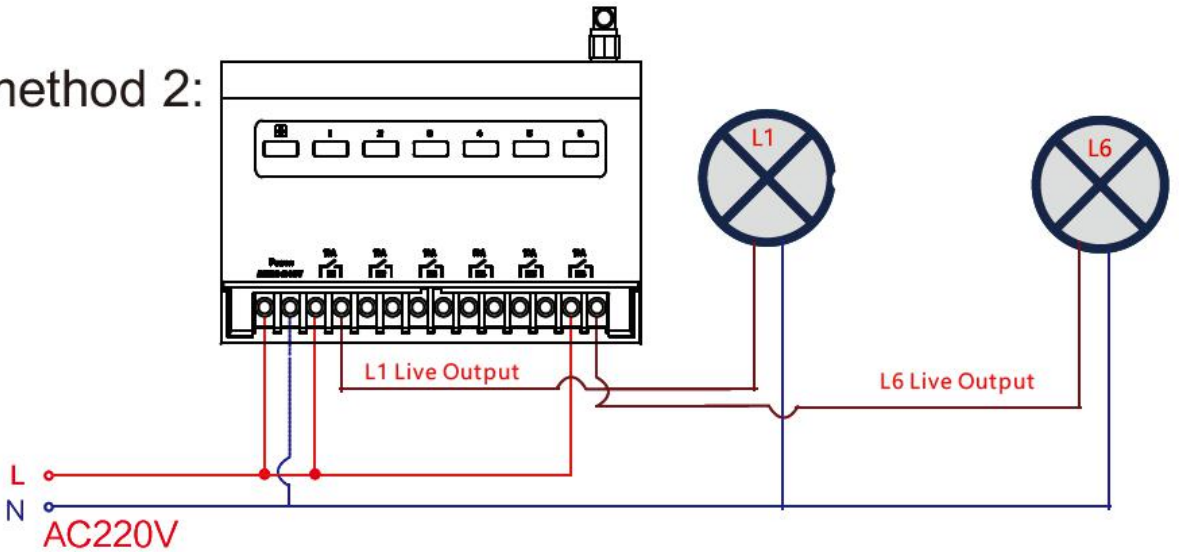


# Wiring Drawing

Wiring method 1:



Wiring method 2:



## Ordering information

Series	Model	Channel	Color	Des.
C10	WS1031	6	Black	Receiving controller, 6 channel, On / Off, Timer, WiFi